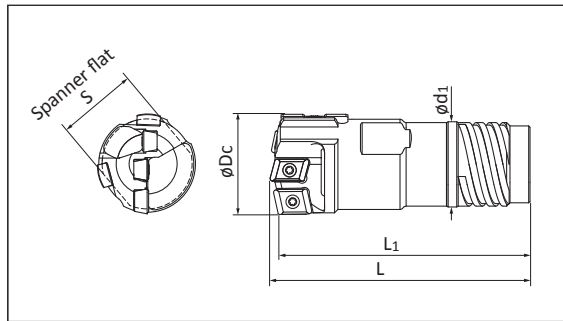


FINE BEAM STS Outer Four Start Thread



Drill Head Ordering Code	Diameter ∅Dc (mm)	Drill Tube		Drill Head Dimensions (mm)			
		Ordering Code	Dia. (mm)	L	L ₁	d ₁	S
FNBM-02S-xx.xx	25.00 - 26.40	ST02	22	73	70	19.5	19
FNBM-03S-xx.xx	26.41 - 28.70	ST03	24	73	70	21	21
FNBM-04S-xx.xx	28.71 - 31.00	ST04	26	78	75	23.5	24
FNBM-05S-xx.xx	31.01 - 33.30	ST05	28	78	75	25.5	26
FNBM-06S-xx.xx	33.31 - 36.20	ST06	30	83	80	28	28
FNBM-07S-xx.xx	36.21 - 39.60	ST07	33	93	90	30	30
FNBM-08S-xx.xx	39.61 - 43.00	ST08	36	99	95	33	32
FNBM-09S-xx.xx	43.01 - 47.00	ST09	39	104	100	36	36
FNBM-10S-xx.xx	47.01 - 51.70	ST10	43	104	100	39	38
FNBM-11S-xx.xx	51.71 - 56.20	ST11	47	114	110	43	46
FNBM-12S-xx.xx	56.21 - 60.60	ST12	51	120	115	47	50
FNBM-13S-xx.xx	60.61 - 65.00	ST13	56	120	115	51	54

Ordering example for DIA=30.00mm : FNBM-04S-30.00

Standard stock (metric)

As of 09-2013

Diameter (mm)	Drill Head Code	Stock
25.00	FNBM-02S-25.00	●
25.40	FNBM-02S-25.40	●
28.00	FNBM-03S-28.00	●
30.00	FNBM-04S-30.00	●
31.75	FNBM-05S-31.75	●
36.50	FNBM-07S-36.50	●
38.00	FNBM-07S-38.00	●
38.10	FNBM-07S-38.10	●
44.45	FNBM-09S-44.45	●
45.00	FNBM-09S-45.00	●
50.00	FNBM-10S-50.00	●
50.80	FNBM-10S-50.80	●
55.55	FNBM-11S-55.55	●
57.15	FNBM-12S-57.15	●
60.00	FNBM-12S-60.00	●
63.50	FNBM-13S-63.50	●
65.00	FNBM-13S-65.00	●

● : Standard stock item

Standard stock (inch)

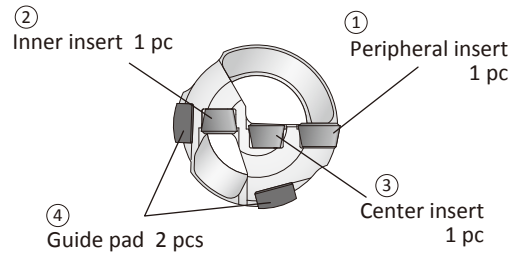
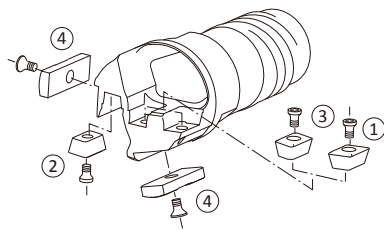
As of 09-2013

Diameter (inch)	Drill Head Code	Stock
1.000	FNBM-02S-1.000	●
1.024	FNBM-02S-1.024	●
1.125	FNBM-03S-1.125	●
1.218	FNBM-04S-1.218	●
1.235	FNBM-05S-1.235	●
1.245	FNBM-05S-1.245	●
1.250	FNBM-05S-1.250	●
1.280	FNBM-05S-1.280	●
1.312	FNBM-06S-1.312	●
1.375	FNBM-06S-1.375	●
1.437	FNBM-07S-1.437	●
1.500	FNBM-07S-1.500	●
1.575	FNBM-08S-1.575	●
1.625	FNBM-08S-1.625	●
1.725	FNBM-09S-1.725	●
1.750	FNBM-09S-1.750	●
1.812	FNBM-09S-1.812	●
1.875	FNBM-10S-1.875	●
1.905	FNBM-10S-1.905	●
1.940	FNBM-10S-1.940	●
1.945	FNBM-10S-1.945	●
1.965	FNBM-10S-1.965	●
1.985	FNBM-10S-1.985	●
2.000	FNBM-10S-2.000	●
2.125	FNBM-11S-2.125	●
2.187	FNBM-11S-2.187	●
2.250	FNBM-12S-2.250	●
2.312	FNBM-12S-2.312	●
2.335	FNBM-12S-2.335	●
2.350	FNBM-12S-2.350	●
2.375	FNBM-12S-2.375	●
2.380	FNBM-12S-2.380	●
2.405	FNBM-13S-2.405	●
2.441	FNBM-13S-2.441	●
2.500	FNBM-13S-2.500	●

● : Standard stock item

• See page 7 for spare parts list.

FINE BEAM Assembly



Dia. øDc (mm)	Insert									Guide Pad		
	① Peripheral			② Inner			③ Center			④		
	Insert	Screw	Wrench	Insert	Screw	Wrench	Insert	Screw	Wrench	Guide pad	Screw	Wrench
25.00 - 28.00	FBH06003R	CSTB2.2	T-7F	FBM05503R	CSTB2.2	T-7F	FBM05503L	CSTB2.2	T-7F	GP06	CSTB2.2S	T-7F
28.01 - 29.99	FBH06003R	CSTB2.2	T-7F	FBM05503R	CSTB2.2	T-7F	FBM06504L	CSTB2.5	T-8F	GP06	CSTB2.2S	T-7F
30.00 - 35.00	FBH07504R	CSTB2.5	T-8F	FBM06504R	CSTB2.5	T-8F	FBM06504L	CSTB2.5	T-8F	GP07	CSTB3S	T-9F
35.01 - 38.00	FBH07504R	CSTB2.5	T-8F	FBM06504R	CSTB2.5	T-8F	FBM08004L	CSTB2.5	T-8F	GP07	CSTB3S	T-9F
38.01 - 39.00	FBH09004R	CSTB2.5	T-8F	FBM06504R	CSTB2.5	T-8F	FBM08004L	CSTB2.5	T-8F	GP07	CSTB3S	T-9F
39.01 - 41.00	FBH09004R	CSTB2.5	T-8F	FBM06504R	CSTB2.5	T-8F	FBM08004L	CSTB2.5	T-8F	GP08	CSTB3S	T-9F
41.01 - 44.00	FBH09004R	CSTB2.5	T-8F	FBM08004R	CSTB2.5	T-8F	FBM08004L	CSTB2.5	T-8F	GP08	CSTB3S	T-9F
44.01 - 45.00	FBH09004R	CSTB2.5	T-8F	FBM08004R	CSTB2.5	T-8F	FBM09504L	CSTB2.5	T-8F	GP08	CSTB3S	T-9F
45.01 - 47.00	FBH09004R	CSTB2.5	T-8F	FBM08004R	CSTB2.5	T-8F	FBM09504L	CSTB2.5	T-8F	GP10S	CSTB3.5	T-15F
47.01 - 51.00	FBH11004R	CSTB2.5	T-8F	FBM08004R	CSTB2.5	T-8F	FBM09504L	CSTB2.5	T-8F	GP10S	CSTB3.5	T-15F
51.01 - 54.00	FBH11004R	CSTB2.5	T-8F	FBM09504R	CSTB2.5	T-8F	FBM09504L	CSTB2.5	T-8F	GP10S	CSTB3.5	T-15F
54.01 - 57.00	FBH11004R	CSTB2.5	T-8F	FBM09504R	CSTB2.5	T-8F	FBM12504L	CSTB2.5	T-8F	GP10S	CSTB3.5	T-15F
57.01 - 60.00	FBH11004R	CSTB2.5	T-8F	FBM09504R	CSTB2.5	T-8F	FBM12504L	CSTB2.5	T-8F	GP12	CSTB3.5	T-15F
60.01 - 64.00	FBH13004R	CSTB2.5	T-8F	FBM09504R	CSTB2.5	T-8F	FBM12504L	CSTB2.5	T-8F	GP12	CSTB3.5	T-15F
64.01 - 65.00	FBH13004R	CSTB2.5	T-8F	FBM12504R	CSTB2.5	T-8F	FBM12504L	CSTB2.5	T-8F	GP12	CSTB3.5	T-15F

- See page 8 for grade of insert and guide pad.
- Drill heads come complete with 1 set of spare parts but less inserts and guide pads.

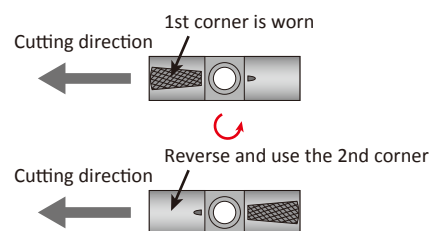
Replacing Guide Pads

The guide pad is a consumable item as well as the insert

The guide pad has 2 corners.

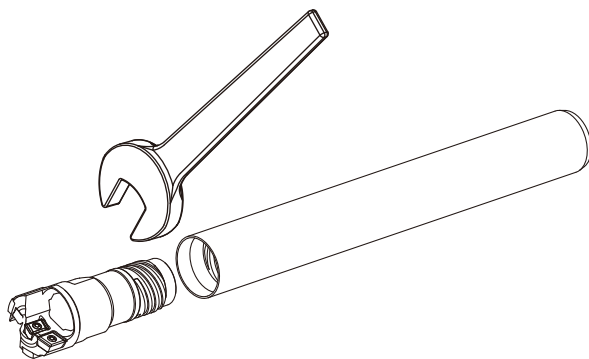
When the wear comes to 2nd corner, reverse the guide pad.

When the 2nd corner also gets worn, replace the guide pad with a new one.



Setting Up of Drill Head

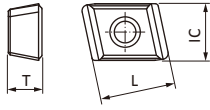
Be sure to use a spanner to tighten drill properly to drill tube.



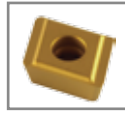
NOTE: A spanner is not included in a drill head set. Please order a spanner separately from drill head if needed.

FINE BEAM Spare Parts

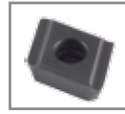
Insert



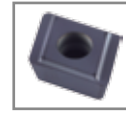
(This figure shows right hand type)



UC1125 (DLXT)



UC2220 (NLX)



UC3120 (KLXT)

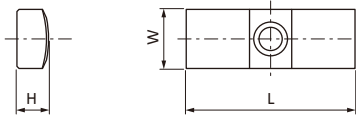
Chipbreaker	Code	Dimensions (mm)			Grade				
		IC	L	t	UC1125 (DLXT)	UC2220 (NLX)	UC3120 (KLXT)	UC3210 (KLXT3)	
G	Center	FBM05503LG	5.5	8.0	3.0		●	●	★
		FBM06504LG	6.5	10.0	4.0	●	●	●	●
		FBM08004LG	8.0	10.0	4.0	●	●	●	●
		FBM09504LG	9.5	10.0	4.0	●	●	●	●
		FBM12504LG	12.5	10.0	4.0	●	●	●	●
	Inner	FBM05503RG	5.5	8.0	3.0		●	●	★
		FBM06504RG	6.5	10.0	4.0	●	●	●	●
		FBM08004RG	8.0	10.0	4.0	●	●	●	●
		FBM09504RG	9.5	10.0	4.0	●	●	●	●
	Peripheral	FBM12504RG	12.5	10.0	4.0	●	●	●	●
		FBH06003RG	6.0	8.0	3.0		●	●	★
		FBH07504RG	7.5	10.0	4.0		●	●	★
		FBH09004RG	9.0	10.0	4.0		●	●	★
FBH11004RG		11.0	10.0	4.0		●	●	★	
	FBH13004RG	13.0	10.0	4.0		●	●	★	

Ordering example: FBH06003RG UC2220 10pcs

● : Standard stock item
★ : Coming soon

	Grade	(Previous)	ISO area							
			5	10	15	20	25	30	35	40
P	UC2220 (NLX)									
	UC1125 (DLXT)									
	UC3120 (KLXT)									
M	UC2220 (NLX)									
	UC3120 (KLXT)									
K	UC3210 (KLXT3)									
	UC2220 (NLX)									
	UC3120 (KLXT)									
S	UC3210 (KLXT3)									
	UC3120 (KLXT)									
	UC2220 (NLX)									
	UC1125 (DLXT)									
N	UC2220 (NLX)									

Guide Pad



Code	Dimensions (mm)			Grade		
	L	W	H	Full carbide		Brazed
				F1122	F2122	B1042
GP06	20.0	6.0	3.0	●	●	●
GP07	20.0	7.0	3.5	●	●	●
GP08	25.0	8.0	4.5	●	●	●
GP10S	30.0	10.0	4.5	●	●	●
GP12	35.0	12.0	5.5	●	●	●

Ordering example: GP08 F2122 10pcs

- All above grades are coated.
- Other grades are available upon request.

Wear Resistance

