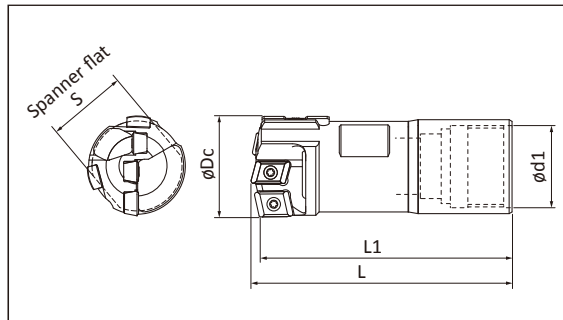


FINE BEAM STS Inner Single Start Thread



Drill Head Ordering Code	Diameter ∅Dc (mm)	Drill Tube		Drill Head Dimensions (mm)			
		Ordering Code	Dia. (mm)	L	L ₁	d ₁	S
FNBM-22N-xx.xx	25.00 - 26.99	UB22	22	73	70	20	19
FNBM-24N-xx.xx	27.00 - 29.00	UB24	24	73	70	22	21
FNBM-24N-xx.xx	29.01 - 29.99	UB24	24	73	70	22	24
FNBM-26N-xx.xx	30.00 - 31.99	UB26	26	78	75	24	24
FNBM-28N-xx.xx	32.00 - 33.99	UB28	28	78	75	26	26
FNBM-30N-xx.xx	34.00 - 36.99	UB30	30	93	90	27	28
FNBM-33N-xx.xx	37.00 - 39.99	UB33	33	98	95	30	30
FNBM-36N-xx.xx	40.00 - 43.99	UB36	36	104	100	33	32
FNBM-39N-xx.xx	44.00 - 46.99	UB39	39	109	105	37	36
FNBM-43N-xx.xx	47.00 - 51.99	UB43	43	109	105	41	38
FNBM-47N-xx.xx	52.00 - 56.99	UB47	47	114	110	44	46
FNBM-51N-xx.xx	57.00 - 60.99	UB51	51	120	115	49	46
FNBM-56N-xx.xx	61.00 - 65.00	UB56	56	120	115	53	54

Ordering example for DIA=30.00mm : FNBM-26N-30.00

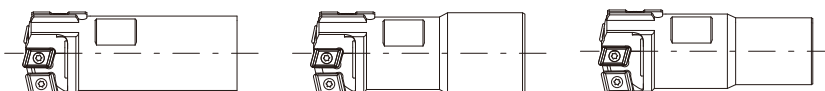
Standard stock (metric)

As of 09-2013

Diameter (mm)	Drill Head Code	Stock
25.00	FNBM-22N-25.00	●
27.00	FNBM-24N-27.00	●
30.00	FNBM-26N-30.00	●
32.00	FNBM-28N-32.00	●
35.00	FNBM-30N-35.00	●
37.00	FNBM-33N-37.00	●
40.00	FNBM-36N-40.00	●
42.00	FNBM-36N-42.00	●
44.00	FNBM-39N-44.00	●
45.00	FNBM-39N-45.00	●
47.00	FNBM-43N-47.00	●
50.00	FNBM-43N-50.00	●
52.00	FNBM-47N-52.00	●
55.00	FNBM-47N-55.00	●
56.00	FNBM-47N-56.00	●
60.00	FNBM-51N-60.00	●
65.00	FNBM-56N-65.00	●

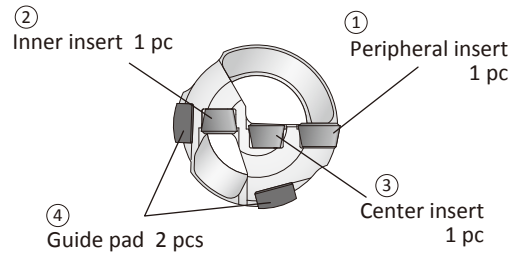
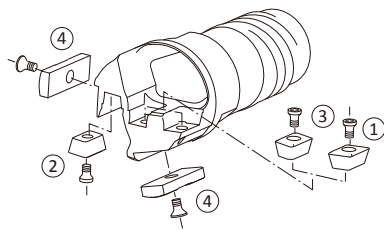
● : Standard stock item

NOTE: There are three types of body geometry for inner thread type according to the combination of drill diameter and thread diameter



• See page 7 for spare parts list.

FINE BEAM Assembly



Dia. øDc (mm)	Insert									Guide Pad		
	① Peripheral			② Inner			③ Center			④		
	Insert	Screw	Wrench	Insert	Screw	Wrench	Insert	Screw	Wrench	Guide pad	Screw	Wrench
25.00 - 28.00	FBH06003R	CSTB2.2	T-7F	FBM05503R	CSTB2.2	T-7F	FBM05503L	CSTB2.2	T-7F	GP06	CSTB2.2S	T-7F
28.01 - 29.99	FBH06003R	CSTB2.2	T-7F	FBM05503R	CSTB2.2	T-7F	FBM06504L	CSTB2.5	T-8F	GP06	CSTB2.2S	T-7F
30.00 - 35.00	FBH07504R	CSTB2.5	T-8F	FBM06504R	CSTB2.5	T-8F	FBM06504L	CSTB2.5	T-8F	GP07	CSTB3S	T-9F
35.01 - 38.00	FBH07504R	CSTB2.5	T-8F	FBM06504R	CSTB2.5	T-8F	FBM08004L	CSTB2.5	T-8F	GP07	CSTB3S	T-9F
38.01 - 39.00	FBH09004R	CSTB2.5	T-8F	FBM06504R	CSTB2.5	T-8F	FBM08004L	CSTB2.5	T-8F	GP07	CSTB3S	T-9F
39.01 - 41.00	FBH09004R	CSTB2.5	T-8F	FBM06504R	CSTB2.5	T-8F	FBM08004L	CSTB2.5	T-8F	GP08	CSTB3S	T-9F
41.01 - 44.00	FBH09004R	CSTB2.5	T-8F	FBM08004R	CSTB2.5	T-8F	FBM08004L	CSTB2.5	T-8F	GP08	CSTB3S	T-9F
44.01 - 45.00	FBH09004R	CSTB2.5	T-8F	FBM08004R	CSTB2.5	T-8F	FBM09504L	CSTB2.5	T-8F	GP08	CSTB3S	T-9F
45.01 - 47.00	FBH09004R	CSTB2.5	T-8F	FBM08004R	CSTB2.5	T-8F	FBM09504L	CSTB2.5	T-8F	GP10S	CSTB3.5	T-15F
47.01 - 51.00	FBH11004R	CSTB2.5	T-8F	FBM08004R	CSTB2.5	T-8F	FBM09504L	CSTB2.5	T-8F	GP10S	CSTB3.5	T-15F
51.01 - 54.00	FBH11004R	CSTB2.5	T-8F	FBM09504R	CSTB2.5	T-8F	FBM09504L	CSTB2.5	T-8F	GP10S	CSTB3.5	T-15F
54.01 - 57.00	FBH11004R	CSTB2.5	T-8F	FBM09504R	CSTB2.5	T-8F	FBM12504L	CSTB2.5	T-8F	GP10S	CSTB3.5	T-15F
57.01 - 60.00	FBH11004R	CSTB2.5	T-8F	FBM09504R	CSTB2.5	T-8F	FBM12504L	CSTB2.5	T-8F	GP12	CSTB3.5	T-15F
60.01 - 64.00	FBH13004R	CSTB2.5	T-8F	FBM09504R	CSTB2.5	T-8F	FBM12504L	CSTB2.5	T-8F	GP12	CSTB3.5	T-15F
64.01 - 65.00	FBH13004R	CSTB2.5	T-8F	FBM12504R	CSTB2.5	T-8F	FBM12504L	CSTB2.5	T-8F	GP12	CSTB3.5	T-15F

- See page 8 for grade of insert and guide pad.
- Drill heads come complete with 1 set of spare parts but less inserts and guide pads.

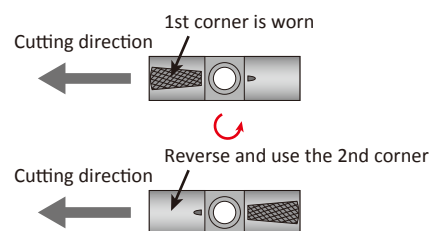
Replacing Guide Pads

The guide pad is a consumable item as well as the insert

The guide pad has 2 corners.

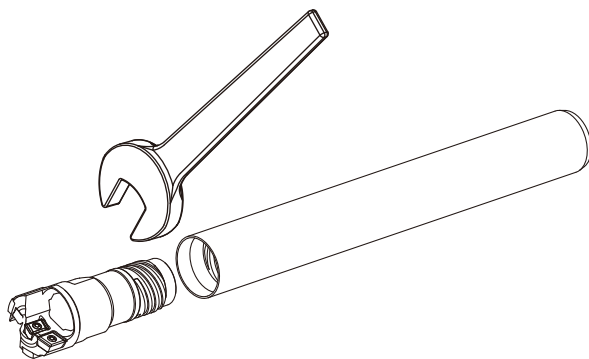
When the wear comes to 2nd corner, reverse the guide pad.

When the 2nd corner also gets worn, replace the guide pad with a new one.



Setting Up of Drill Head

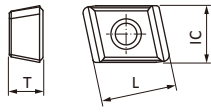
Be sure to use a spanner to tighten drill properly to drill tube.



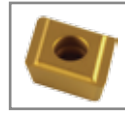
NOTE: A spanner is not included in a drill head set. Please order a spanner separately from drill head if needed.

FINE BEAM Spare Parts

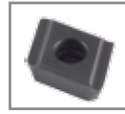
Insert



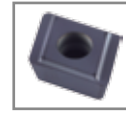
(This figure shows right hand type)



UC1125 (DLXT)



UC2220 (NLX)



UC3120 (KLXT)

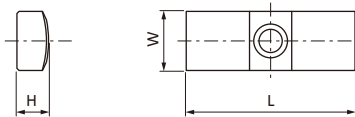
Chipbreaker	Code	Dimensions (mm)			Grade				
		IC	L	t	UC1125 (DLXT)	UC2220 (NLX)	UC3120 (KLXT)	UC3210 (KLXT3)	
G	Center	FBM05503LG	5.5	8.0	3.0		●	●	★
		FBM06504LG	6.5	10.0	4.0	●	●	●	●
		FBM08004LG	8.0	10.0	4.0	●	●	●	●
		FBM09504LG	9.5	10.0	4.0	●	●	●	●
		FBM12504LG	12.5	10.0	4.0	●	●	●	●
	Inner	FBM05503RG	5.5	8.0	3.0		●	●	★
		FBM06504RG	6.5	10.0	4.0	●	●	●	●
		FBM08004RG	8.0	10.0	4.0	●	●	●	●
		FBM09504RG	9.5	10.0	4.0	●	●	●	●
		FBM12504RG	12.5	10.0	4.0	●	●	●	●
	Peripheral	FBH06003RG	6.0	8.0	3.0		●	●	★
		FBH07504RG	7.5	10.0	4.0		●	●	★
		FBH09004RG	9.0	10.0	4.0		●	●	★
		FBH11004RG	11.0	10.0	4.0		●	●	★
FBH13004RG		13.0	10.0	4.0		●	●	★	

Ordering example: FBH06003RG UC2220 10pcs

● : Standard stock item
★ : Coming soon

	Grade	(Previous)	ISO area							
			5	10	15	20	25	30	35	40
P	UC2220 (NLX)				■	■	■			
	UC1125 (DLXT)				■	■	■			
	UC3120 (KLXT)				■	■	■	■		
M	UC2220 (NLX)				■	■	■			
	UC3120 (KLXT)				■	■	■	■		
K	UC3210 (KLXT3)		■	■	■	■	■			
	UC2220 (NLX)		■	■	■	■	■			
	UC3120 (KLXT)		■	■	■	■	■	■		
S	UC3210 (KLXT3)	■	■	■						
	UC3120 (KLXT)	■	■	■	■	■				
	UC2220 (NLX)	■	■	■	■	■	■			
	UC1125 (DLXT)	■	■	■	■	■	■	■	■	■
N	UC2220 (NLX)			■	■					

Guide Pad



Code	Dimensions (mm)			Grade		
	L	W	H	Full carbide		Brazed
				F1122	F2122	B1042
GP06	20.0	6.0	3.0	●	●	●
GP07	20.0	7.0	3.5	●	●	●
GP08	25.0	8.0	4.5	●	●	●
GP10S	30.0	10.0	4.5	●	●	●
GP12	35.0	12.0	5.5	●	●	●

Ordering example: GP08 F2122 10pcs

- All above grades are coated.
- Other grades are available upon request.

Wear Resistance

