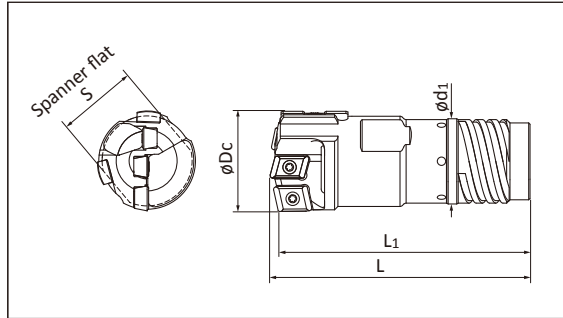


## FINE BEAM DTS Outer Four Start Thread



Drill Head Ordering Code	Diameter ∅Dc (mm)	Outer Tube		Drill Head Dimensions (mm)			
		Ordering Code	Dia. (mm)	L	L <sub>1</sub>	d <sub>1</sub>	S
<b>FNBM-03D-xx.xx</b>	<b>25.00 - 26.40</b>	OT03	23.5	73	70	21	19
<b>FNBM-04D-xx.xx</b>	<b>26.41 - 28.70</b>	OT04	26	78	75	23.5	21
<b>FNBM-05D-xx.xx</b>	<b>28.71 - 31.00</b>	OT05	28	78	75	25.5	24
<b>FNBM-06D-xx.xx</b>	<b>31.01 - 33.30</b>	OT06	30.5	83	80	28	26
<b>FNBM-07D-xx.xx</b>	<b>33.31 - 36.20</b>	OT07	33	93	90	30	28
<b>FNBM-08D-xx.xx</b>	<b>36.21 - 39.60</b>	OT08	35.5	99	95	33	30
<b>FNBM-09D-xx.xx</b>	<b>39.61 - 43.00</b>	OT09	39	104	100	36	32
<b>FNBM-10D-xx.xx</b>	<b>43.01 - 47.00</b>	OT10	42.5	104	100	39	36
<b>FNBM-11D-xx.xx</b>	<b>47.01 - 51.70</b>	OT11	46.5	114	110	43	38
<b>FNBM-12D-xx.xx</b>	<b>51.71 - 56.20</b>	OT12	51	120	115	47.5	46
<b>FNBM-13D-xx.xx</b>	<b>56.21 - 60.60</b>	OT13	55.5	120	115	51	50
<b>FNBM-13D-xx.xx</b>	<b>60.61 - 65.00</b>	OT13	55.5	120	115	51	54

Ordering example for DIA=30.00mm : FNBM-05D-30.00

### Standard stock (metric)

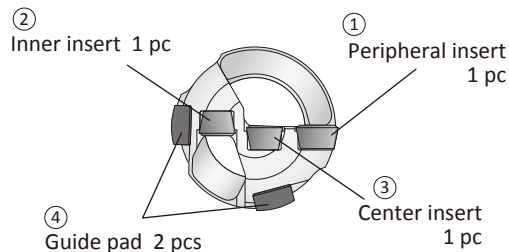
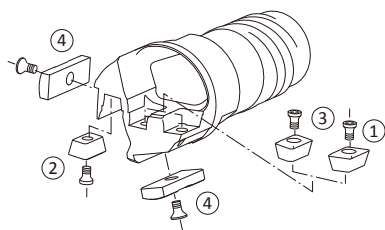
As of 09-2013

Diameter (mm)	Drill Head Code	Stock
25.00	FNBM-03D-25.00	●
25.40	FNBM-03D-25.40	●
27.00	FNBM-04D-27.00	●
30.00	FNBM-05D-30.00	●
32.00	FNBM-06D-32.00	●
37.00	FNBM-08D-37.00	●
38.10	FNBM-08D-38.10	●
42.00	FNBM-09D-42.00	●
45.00	FNBM-10D-45.00	●
50.00	FNBM-11D-50.00	●

● : Standard stock item

• See page 7 for spare parts list.

# FINE BEAM Assembly



Dia. øDc (mm)	Insert									Guide Pad		
	① Peripheral			② Inner			③ Center			④		
	Insert	Screw	Wrench	Insert	Screw	Wrench	Insert	Screw	Wrench	Guide pad	Screw	Wrench
25.00 - 28.00	FBH06003R	CSTB2.2	T-7F	FBM05503R	CSTB2.2	T-7F	FBM05503L	CSTB2.2	T-7F	GP06	CSTB2.2S	T-7F
28.01 - 29.99	FBH06003R	CSTB2.2	T-7F	FBM05503R	CSTB2.2	T-7F	FBM06504L	CSTB2.5	T-8F	GP06	CSTB2.2S	T-7F
30.00 - 35.00	FBH07504R	CSTB2.5	T-8F	FBM06504R	CSTB2.5	T-8F	FBM06504L	CSTB2.5	T-8F	GP07	CSTB3S	T-9F
35.01 - 38.00	FBH07504R	CSTB2.5	T-8F	FBM06504R	CSTB2.5	T-8F	FBM08004L	CSTB2.5	T-8F	GP07	CSTB3S	T-9F
38.01 - 39.00	FBH09004R	CSTB2.5	T-8F	FBM06504R	CSTB2.5	T-8F	FBM08004L	CSTB2.5	T-8F	GP07	CSTB3S	T-9F
39.01 - 41.00	FBH09004R	CSTB2.5	T-8F	FBM06504R	CSTB2.5	T-8F	FBM08004L	CSTB2.5	T-8F	GP08	CSTB3S	T-9F
41.01 - 44.00	FBH09004R	CSTB2.5	T-8F	FBM08004R	CSTB2.5	T-8F	FBM08004L	CSTB2.5	T-8F	GP08	CSTB3S	T-9F
44.01 - 45.00	FBH09004R	CSTB2.5	T-8F	FBM08004R	CSTB2.5	T-8F	FBM09504L	CSTB2.5	T-8F	GP08	CSTB3S	T-9F
45.01 - 47.00	FBH09004R	CSTB2.5	T-8F	FBM08004R	CSTB2.5	T-8F	FBM09504L	CSTB2.5	T-8F	GP10S	CSTB3.5	T-15F
47.01 - 51.00	FBH11004R	CSTB2.5	T-8F	FBM08004R	CSTB2.5	T-8F	FBM09504L	CSTB2.5	T-8F	GP10S	CSTB3.5	T-15F
51.01 - 54.00	FBH11004R	CSTB2.5	T-8F	FBM09504R	CSTB2.5	T-8F	FBM09504L	CSTB2.5	T-8F	GP10S	CSTB3.5	T-15F
54.01 - 57.00	FBH11004R	CSTB2.5	T-8F	FBM09504R	CSTB2.5	T-8F	FBM12504L	CSTB2.5	T-8F	GP10S	CSTB3.5	T-15F
57.01 - 60.00	FBH11004R	CSTB2.5	T-8F	FBM09504R	CSTB2.5	T-8F	FBM12504L	CSTB2.5	T-8F	GP12	CSTB3.5	T-15F
60.01 - 64.00	FBH13004R	CSTB2.5	T-8F	FBM09504R	CSTB2.5	T-8F	FBM12504L	CSTB2.5	T-8F	GP12	CSTB3.5	T-15F
64.01 - 65.00	FBH13004R	CSTB2.5	T-8F	FBM12504R	CSTB2.5	T-8F	FBM12504L	CSTB2.5	T-8F	GP12	CSTB3.5	T-15F

- See page 8 for grade of insert and guide pad.
- Drill heads come complete with 1 set of spare parts but less inserts and guide pads.

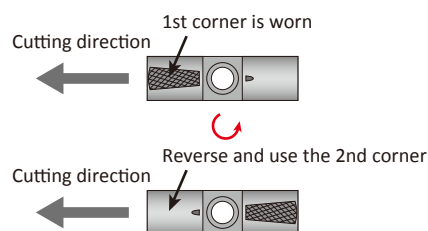
## Replacing Guide Pads

The guide pad is a consumable item as well as the insert

The guide pad has 2 corners.

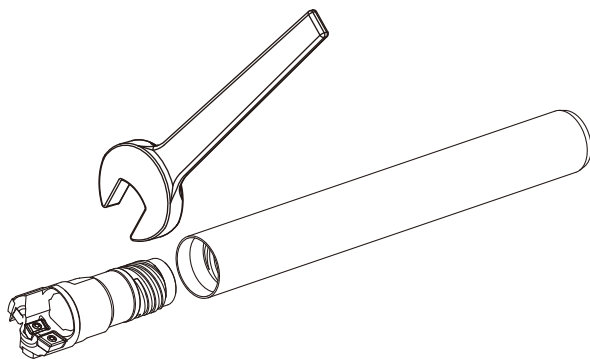
When the wear comes to 2nd corner, reverse the guide pad.

When the 2nd corner also gets worn, replace the guide pad with a new one.



## Setting Up of Drill Head

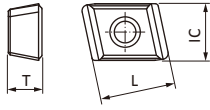
Be sure to use a spanner to tighten drill properly to drill tube.



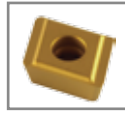
NOTE: A spanner is not included in a drill head set. Please order a spanner separately from drill head if needed.

# FINE BEAM Spare Parts

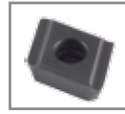
## Insert



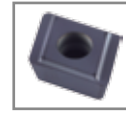
(This figure shows right hand type)



UC1125 (DLXT)



UC2220 (NLX)



UC3120 (KLXT)

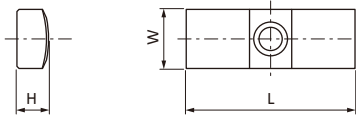
Chipbreaker	Code	Dimensions (mm)			Grade				
		IC	L	t	UC1125 (DLXT)	UC2220 (NLX)	UC3120 (KLXT)	UC3210 (KLXT3)	
<b>G</b>	Center	FBM05503LG	5.5	8.0	3.0		●	●	★
		FBM06504LG	6.5	10.0	4.0	●	●	●	●
		FBM08004LG	8.0	10.0	4.0	●	●	●	●
		FBM09504LG	9.5	10.0	4.0	●	●	●	●
		FBM12504LG	12.5	10.0	4.0	●	●	●	●
	Inner	FBM05503RG	5.5	8.0	3.0		●	●	★
		FBM06504RG	6.5	10.0	4.0	●	●	●	●
		FBM08004RG	8.0	10.0	4.0	●	●	●	●
		FBM09504RG	9.5	10.0	4.0	●	●	●	●
		FBM12504RG	12.5	10.0	4.0	●	●	●	●
	Peripheral	FBH06003RG	6.0	8.0	3.0		●	●	★
		FBH07504RG	7.5	10.0	4.0		●	●	★
		FBH09004RG	9.0	10.0	4.0		●	●	★
		FBH11004RG	11.0	10.0	4.0		●	●	★
FBH13004RG		13.0	10.0	4.0		●	●	★	

Ordering example: FBH06003RG UC2220 10pcs

● : Standard stock item  
★ : Coming soon

	Grade	(Previous)	ISO area							
			5	10	15	20	25	30	35	40
P	UC2220 (NLX)				■	■	■			
	UC1125 (DLXT)				■	■	■			
	UC3120 (KLXT)				■	■	■	■		
M	UC2220 (NLX)				■	■	■			
	UC3120 (KLXT)				■	■	■	■		
K	UC3210 (KLXT3)		■	■	■	■	■			
	UC2220 (NLX)		■	■	■	■	■			
	UC3120 (KLXT)		■	■	■	■	■	■		
S	UC3210 (KLXT3)	■	■	■						
	UC3120 (KLXT)	■	■	■	■	■				
	UC2220 (NLX)	■	■	■	■	■	■			
	UC1125 (DLXT)	■	■	■	■	■	■	■	■	
N	UC2220 (NLX)			■	■					

## Guide Pad



Code	Dimensions (mm)			Grade		
	L	W	H	Full carbide		Brazed
				F1122	F2122	B1042
GP06	20.0	6.0	3.0	●	●	●
GP07	20.0	7.0	3.5	●	●	●
GP08	25.0	8.0	4.5	●	●	●
GP10S	30.0	10.0	4.5	●	●	●
GP12	35.0	12.0	5.5	●	●	●

Ordering example: GP08 F2122 10pcs

- All above grades are coated.
- Other grades are available upon request.

Wear Resistance

