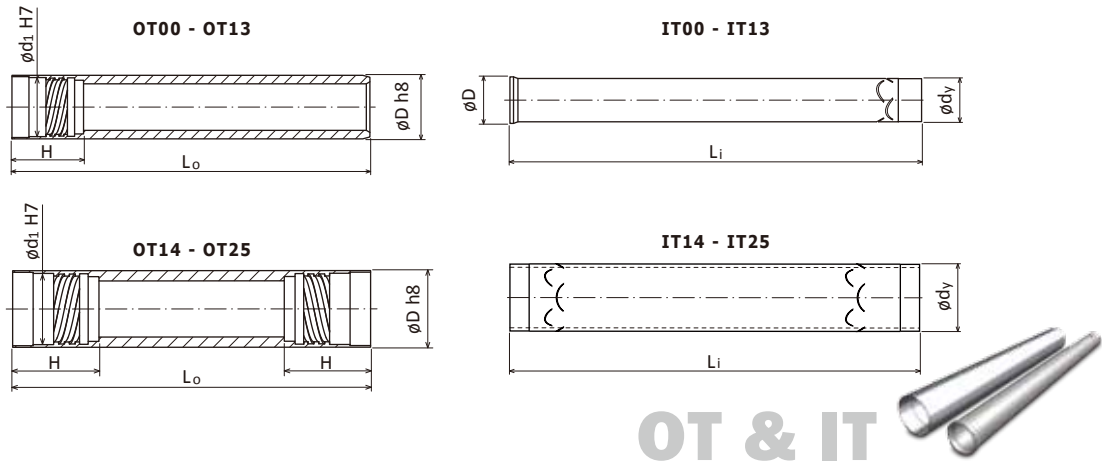


OT & IT Outer Tube & Inner Tube



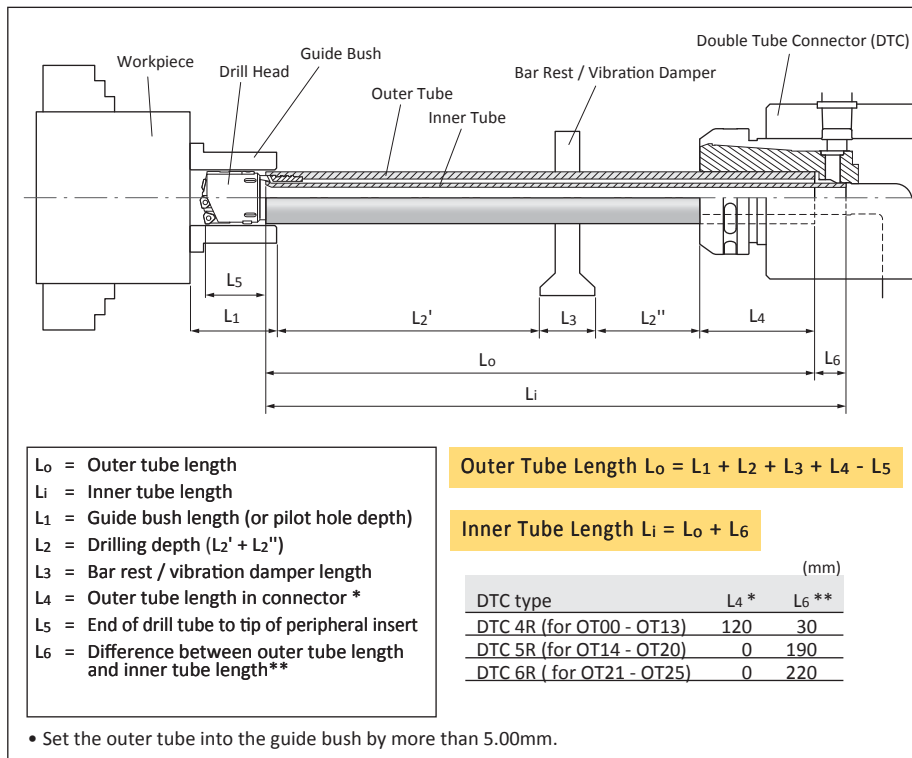
OT & IT

Drill Range (mm)	Outer Tube (OT)			Inner Tube (IT)		
	Code	Lo (mm)	Dimensions (mm)	Code	Li (mm)	Dimensions (mm)
		Special Length	D d1 H		Special Length	D dy
18.40 - 20.00	OT00	○	18 16 27.5	IT00	○	12 10
20.01 - 21.80	OT01	○	19.5 18 30	IT01	○	14 12
21.81 - 24.10	OT02	○	21.5 19.5 30	IT02	○	15 13
24.11 - 26.40	OT03	○	23.5 21 30	IT03	○	16 14
26.41 - 28.70	OT04	○	26 23.5 33	IT04	○	18 16
28.71 - 31.00	OT05	○	28 25.5 33	IT05	○	20 18
31.01 - 33.30	OT06	○	30.5 28 33	IT06	○	22 20
33.31 - 36.20	OT07	○	33 30 40	IT07	○	24 22
36.21 - 39.60	OT08	○	35.5 33 40	IT08	○	26 24
39.61 - 43.00	OT09	○	39 36 40	IT09	○	29 27
43.01 - 47.00	OT10	○	42.5 39 40	IT10	○	32 30
47.01 - 51.70	OT11	○	46.5 43 44	IT11	○	35 32
51.71 - 56.20	OT12	○	51 47 44	IT12	○	39 36
56.21 - 65.00	OT13	○	55.5 51 44	IT13	○	43 40
65.00 - 66.99	OT14	○	56 52 75	IT14	○	- 40
67.00 - 72.99	OT15	○	62 58 75	IT15	○	- 44
73.00 - 79.99	OT16	○	68 63 75	IT16	○	- 48
80.00 - 86.99	OT17	○	75 70 97	IT17	○	- 54
87.00 - 99.99	OT18	○	82 77 97	IT18	○	- 60
100.00 - 111.99	OT19	○	94 89 97	IT19	○	- 70
112.00 - 123.99	OT20	○	106 101 118	IT20	○	- 80
124.00 - 135.99	OT21	○	118 113 118	IT21	○	- 80
136.00 - 147.99	OT22	○	130 125 118	IT22	○	- 95
148.00 - 159.99	OT23	○	142 137 139	IT23	○	- 100
160.00 - 171.99	OT24	○	154 149 139	IT24	○	- 120
172.00 - 183.99	OT25	○	166 161 139	IT25	○	- 130

- Please indicate the length (L) when ordering. Ordering example for drill dia. ø60.00 mm and tube length 1070 mm: OT13X1070 ○ : Special length
- Inner Tube length (Li) should be ordered as follows.
 - ▶ For ranges 18.40 - 65.00 (OT00 - OT13)..... Inner Tube length (Li) = Outer Tube length (Lo) + 30 mm
 - ▶ For ranges 65.00 - 123.99 (OT14 - OT20)..... Inner Tube length (Li) = Outer Tube length (Lo) + 190 mm
 - ▶ For ranges 124.00 - 183.99 (OT21 - OT25).... Inner Tube length (Li) = Outer Tube length (Lo) + 220 mm

Calculation of special length tube

Drill tubes with other length than standard item are available upon request.



ETU



Dia. $\varnothing D_c$ (mm)	L_5 (mm)
18.40 - 20.00	20
20.01 - 24.10	23
24.11 - 28.70	24
28.71 - 33.30	27
33.31 - 36.20	26
36.21 - 40.60	29
40.61 - 43.00	28
43.01 - 47.00	30
47.01 - 51.70	29
51.71 - 56.20	32
56.21 - 58.40	34
58.41 - 65.00	33

FINE BEAM



Dia. $\varnothing D_c$ (mm)	L_5 (mm)
25.00 - 26.40	40
26.41 - 31.00	42
31.01 - 33.30	47
33.31 - 36.20	50
36.21 - 39.60	55
39.61 - 47.00	60
47.01 - 51.70	66
51.71 - 65.00	71

UNIDEX



Dia. $\varnothing D_c$ (mm)	L_5 (mm)
38.00 - 43.00	45
43.01 - 47.00	55
47.01 - 51.70	51
51.71 - 56.20	56
56.21 - 65.00	66
65.00 - 79.99	75
80.00 - 111.99	83
112.00 - 147.99	87
148.00 - 183.99	86