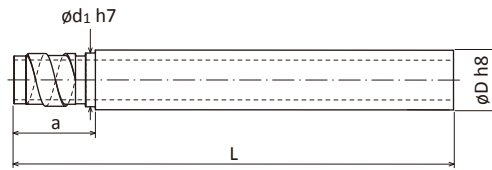


# UB Outer thread connection Single start thread



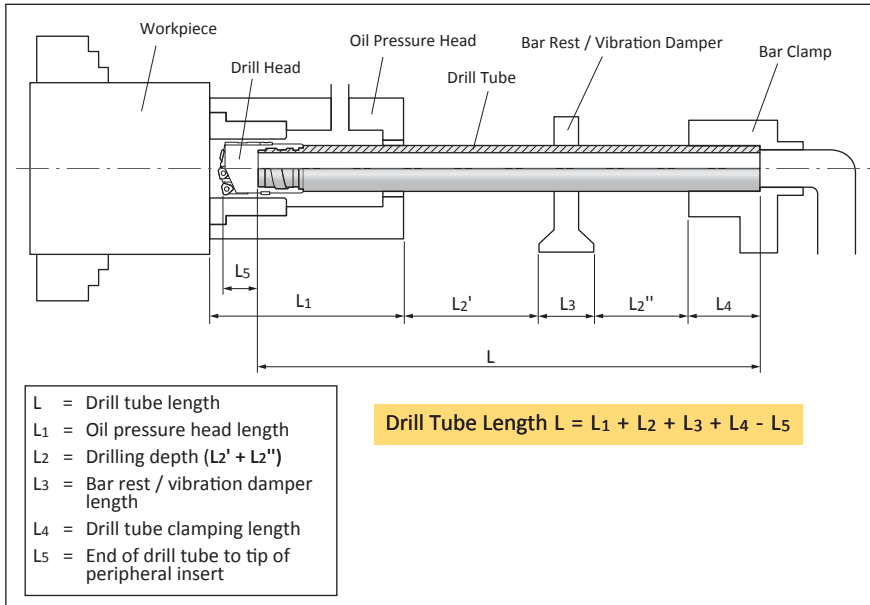
**UB**

Drill Range (mm)	Code	L (mm)		Dimensions (mm)			Drill Range (mm)	Code	L (mm)		Dimensions (mm)		
		Special Length		D	d <sub>1</sub>	a			Special Length		D	d <sub>1</sub>	a
14.50 - 15.00	UB12-1	○		12	11.5	23	61.00 - 67.99	UB56	○		56	53	41
15.01 - 15.50	UB12-2	○		12	11.8	23	68.00 - 74.99	UB62	○		62	59	41
15.51 - 16.00	UB13-1	○		13	12.4	23	75.00 - 80.99	UB68	○		68	65	71
16.01 - 16.50	UB13-2	○		13	12.7	23	81.00 - 90.99	UB75	○		75	71	71
16.51 - 17.25	UB14-1	○		14	13.4	23	91.00 - 98.99	UB82	○		82	79	71
17.26 - 18.00	UB14-2	○		14	13.7	23	99.00 - 110.99	UB94	○		94	90	71
18.01 - 19.00	UB15	○		15	14.4	23	111.00 - 122.99	UB106	○		106	102	71
19.01 - 19.99	UB16.5	○		16.5	15.4	23	123.00 - 134.99	UB118	○		118	114	71
20.00 - 21.99	UB18	○		18	16.5	26	135.00 - 148.99	UB130	○		130	126	71
22.00 - 24.99	UB20	○		20	19	26	149.00 - 161.99	UB142	○		142	139	71
25.00 - 26.99	UB22	○		22	20	26	162.00 - 173.99	UB154	○		154	151	86
27.00 - 29.99	UB24	○		24	22	26	174.00 - 185.99	UB166	○		166	163	86
30.00 - 31.99	UB26	○		26	24	26	186.00 - 197.99	UB178	○		178	175	86
32.00 - 33.99	UB28	○		28	26	26	198.00 - 209.99	UB190	○		190	187	86
34.00 - 36.99	UB30	○		30	27	41	210.00 - 221.99	UB202	○		202	199	86
37.00 - 39.99	UB33	○		33	30	41	222.00 - 233.99	UB214	○		214	211	86
40.00 - 43.99	UB36	○		36	33	41	234.00 - 245.99	UB226	○		226	223	86
44.00 - 46.99	UB39	○		39	37	41	246.00 - 257.99	UB238	○		238	235	86
47.00 - 51.99	UB43	○		43	41	41	258.00 - 269.99	UB250	○		250	247	121
52.00 - 56.99	UB47	○		47	44	41	270.00 - 281.99	UB262	○		262	259	121
57.00 - 60.99	UB51	○		51	49	41	282.00 - 293.99	UB274	○		274	271	121

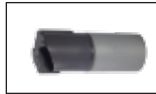
• Please indicate the length (L) when ordering. Ordering example for drill dia. Ø60.00 mm and drill tube length 2600 mm: UB51X2600 ○ : Special length

# Calculation of special length tube

Please calculate the tube length as below according to your machine.



## TU



Dia. $\phi$ Dc (mm)	L5 (mm)
14.50 - 19.99	28
20.00 - 24.99	34
25.00 - 29.99	41
30.00 - 31.99	46
32.00 - 33.99	56
34.00 - 39.99	41
40.00 - 43.99	42
44.00 - 65.00	52

## FINE BEAM



Dia. $\phi$ Dc (mm)	L5 (mm)
25.00 - 29.99	45
30.00 - 36.99	50
37.00 - 39.99	55
40.00 - 43.99	60
44.00 - 51.99	65
52.00 - 56.99	70
57.00 - 65.00	75

## UNIDEX



Dia. $\phi$ Dc (mm)	L5 (mm)
38.00 - 43.99	40
44.00 - 51.99	50
52.00 - 56.99	60
57.00 - 67.99	70
68.00 - 161.99	80
162.00 - 257.99	105
258.00 - 293.99	90