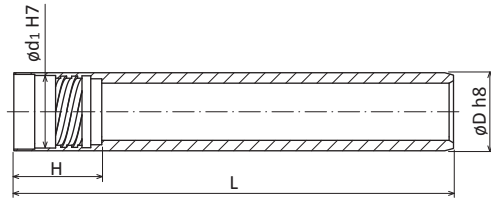


ST Inner thread connection Four start thread (for dia. 15.60 and above) / Two start thread (for dia. 15.59 and less)



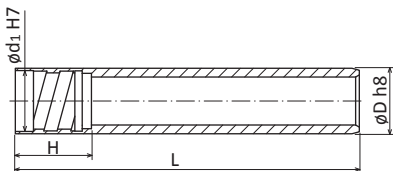
ST

Drill Range (mm)	Code	L (mm)			Dimensions (mm)			Drill Range (mm)	Code	L (mm)	Dimensions (mm)		
		1600	2600	Special Length	D	d ₁	H				Special Length	D	d ₁
12.60 - 13.60	ST0094	●		○	11	9.6	22	65.00 - 66.99	ST14	○	56	52	75
13.61 - 14.60	ST0095	●		○	12	10.6	22	67.00 - 72.99	ST15	○	62	58	75
14.61 - 15.59	ST0096	●		○	13	11.6	22	73.00 - 79.99	ST16	○	68	63	75
15.60 - 16.70	ST0097	●		○	14	12.6	21	80.00 - 86.99	ST17	○	75	70	97
16.71 - 17.70	ST0098	●	●	○	15	13.6	21	87.00 - 99.99	ST18	○	82	77	97
17.71 - 18.90	ST0099	●	●	○	16	14.5	22	100.00 - 111.99	ST19	○	94	89	97
18.91 - 20.00	ST0000	●	●	○	17	15.5	22	112.00 - 123.99	ST20	○	106	101	118
20.01 - 21.80	ST00	●	●	○	18	16	27.5	124.00 - 135.99	ST21	○	118	113	118
21.81 - 24.10	ST01	●	●	○	20	18	30	136.00 - 147.99	ST22	○	130	125	118
24.11 - 26.40	ST02	●	●	○	22	19.5	30	148.00 - 159.99	ST23	○	142	137	139
26.41 - 28.70	ST03	●	●	○	24	21	30	160.00 - 171.99	ST24	○	154	149	139
28.71 - 31.00	ST04	●	●	○	26	23.5	33	172.00 - 183.99	ST25	○	166	161	139
31.01 - 33.30	ST05	●	●	○	28	25.5	33	184.00 - 195.99	ST26	○	178	173	144
33.31 - 36.20	ST06	●	●	○	30	28	33	196.00 - 207.99	ST27	○	190	185	144
36.21 - 39.60	ST07	●	●	○	33	30	40	208.00 - 219.99	ST28	○	202	197	144
39.61 - 43.00	ST08	●	●	○	36	33	40	220.00 - 231.99	ST29	○	214	208	164
43.01 - 47.00	ST09	●	●	○	39	36	40	232.00 - 243.99	ST30	○	226	220	164
47.01 - 51.70	ST10	●	●	○	43	39	40	244.00 - 255.99	ST31	○	238	232	164
51.71 - 56.20	ST11	●	●	○	47	43	44	256.00 - 267.99	ST32	○	250	244	184
56.21 - 60.60	ST12	●	●	○	51	47	44	268.00 - 279.99	ST33	○	262	256	184
60.61 - 65.00	ST13	●	●	○	56	51	44	280.00 - 291.99	ST34	○	274	268	184

- Please indicate the length (L) when ordering. Ordering example for drill dia. $\phi 60.00$ mm and drill tube length 2600 mm: ST12X2600
- Other lengths are available upon request. Please contact Unitac sales department for further information.

● : Standard Stock item
○ : Special length

UMBB Inner thread connection Single start thread For MBU Drill Head



UMBB



MBU Drill Head
Refer to UNITAC Brazed tools catalog for detail.

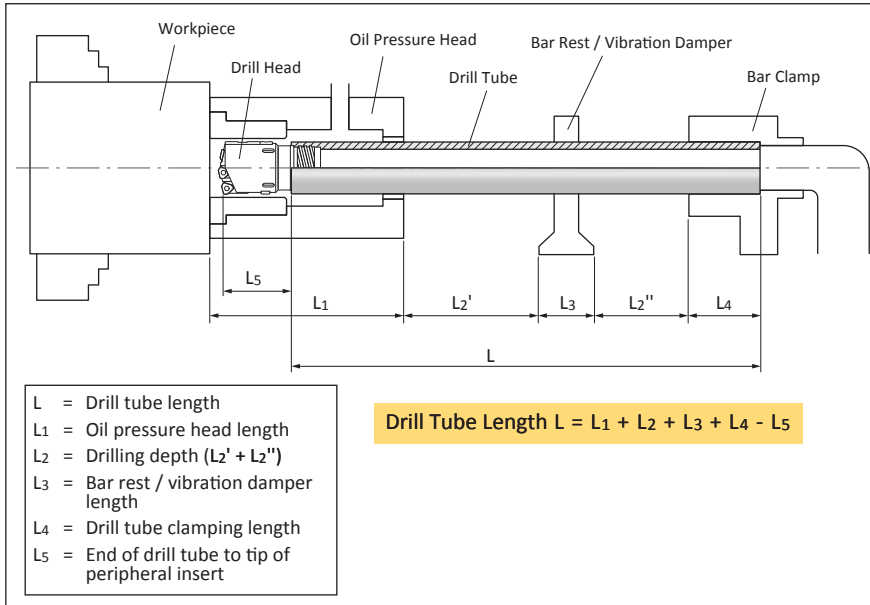
Drill Range (mm)	Code	L (mm)	Dimensions (mm)		
		Special Length	D	d ₁	H
8.00 - 8.99	UMBB071	○	7.1	6	16
9.00 - 9.99	UMBB083	○	8.3	7.2	16
10.00 - 10.99	UMBB090	○	9	7.6	16
11.00 - 11.99	UMBB100	○	10	8.6	16
12.00 - 13.49	UMBB110	○	11	9.1	16
13.50 - 14.79	UMBB120	○	12	10.8	16

○ : Special length

- Please indicate the length (L) when ordering. Ordering example for drill dia. $\phi 11.00$ mm and drill tube length 1000 mm: UMBB100X1000

Calculation of special length tube

Drill tubes with other length than standard item are available upon request. Please calculate the tube length as below according to your machine.



BTU



Dia. ϕD_c (mm)	L5 (mm)
12.60 - 17.70	20
17.71 - 19.20	23
19.21 - 21.80	22
21.81 - 24.10	23
24.11 - 28.70	24
28.71 - 33.30	27
33.31 - 36.20	26
36.21 - 40.60	29
40.61 - 43.00	28
43.01 - 47.00	30
47.01 - 51.70	29
51.71 - 56.20	32
56.21 - 58.40	34
58.41 - 65.00	33

FINE BEAM



Dia. ϕD_c (mm)	L5 (mm)
25.00 - 28.70	40
28.71 - 33.30	42
33.31 - 36.20	47
36.21 - 39.60	50
39.61 - 43.00	55
43.01 - 51.70	60
51.71 - 56.20	66
56.21 - 65.00	71

UNIDEX



Dia. ϕD_c (mm)	L5 (mm)
38.00 - 43.00	45
43.01 - 51.70	55
51.71 - 56.20	56
56.21 - 65.00	66
65.00 - 79.99	75
80.00 - 111.99	83
112.00 - 147.99	87
148.00 - 183.99	86
184.00 - 255.99	101
256.00 - 291.99	106